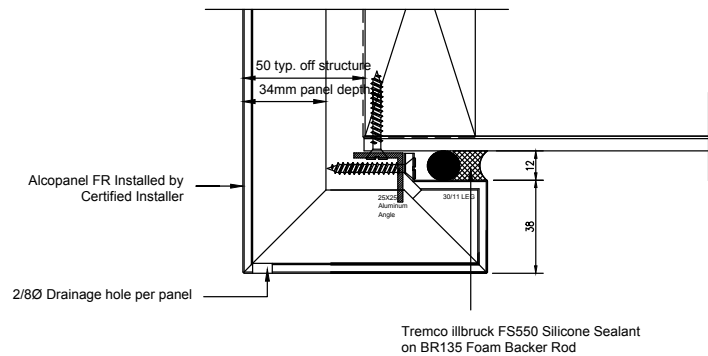
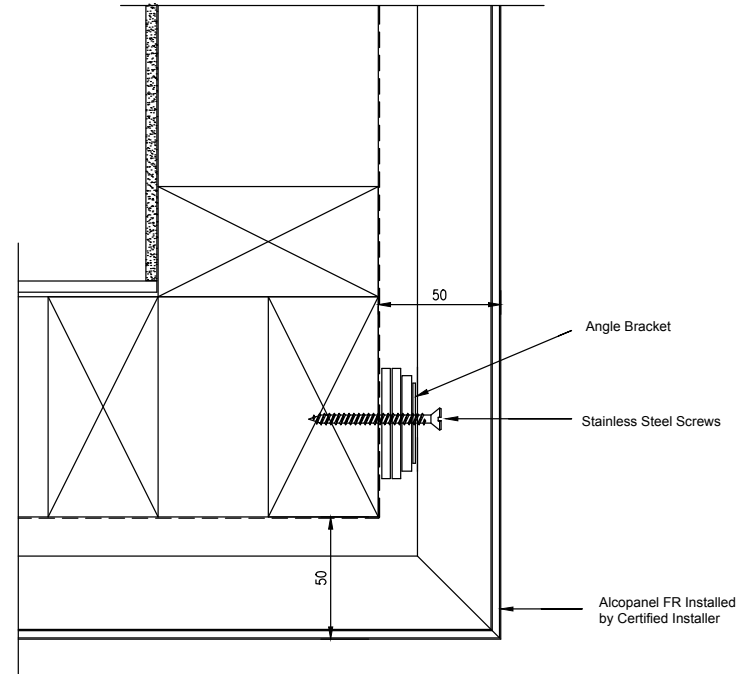
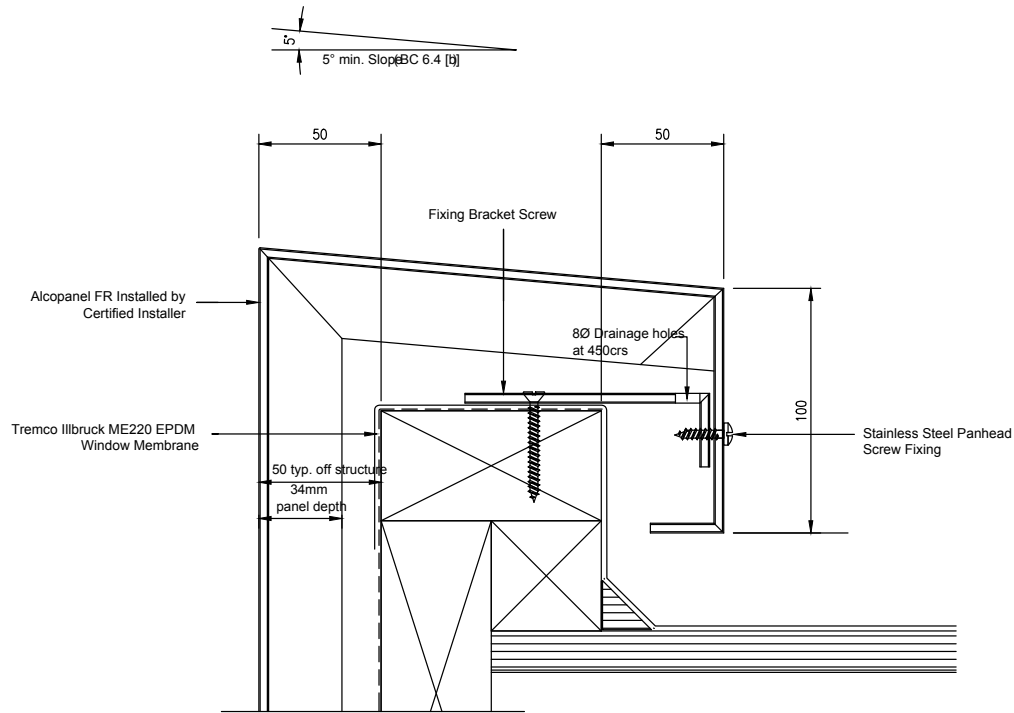


FASCIA DETAIL

EXTERNAL CORNER DETAIL



<p>FRASER GLOBAL TRADING (PTY) LTD</p> <p>JHB: (011) 450 0263 DBN: (031) 564 8692 Email: info@fgtrading.co.za Website: www.fgtrading.co.za</p>		
<p>Project: Alcopanel Details</p>		
Drawn by: LS	Scale: 1:2	Date: 23/03/2015
		Drawing No. FG/AP01