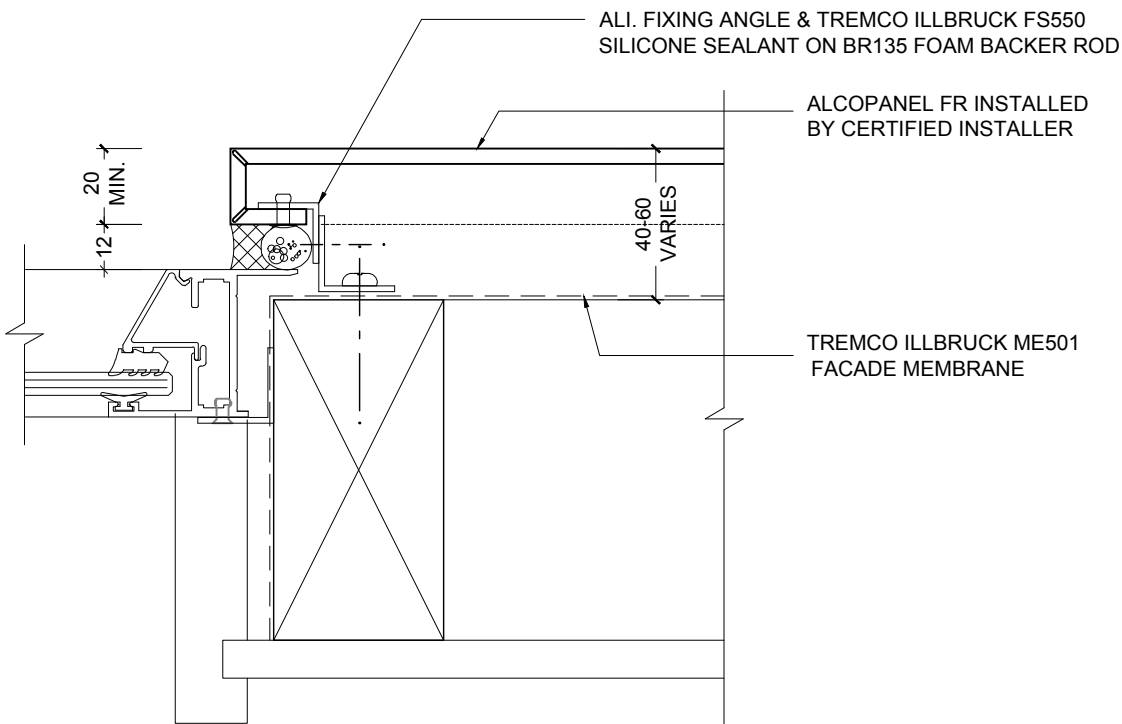


1 OPEN HEAD DETAIL (LIGHT COMMERCIAL)
1:2 @ A4



1 JAMB DETAIL (LIGHT COMMERCIAL)
1:2 @ A4

FRASER GLOBAL TRADING (PTY) LTD

JHB: (011) 450 0263
DBN: (031) 564 8692
Email: info@fgtrading.co.za
Website: www.fgtrading.co.za



Project:
Alcopanel Details

Drawn by: LS

Scale: 1:2

Date: 23/03/2015

Drawing No.
FG/AP05