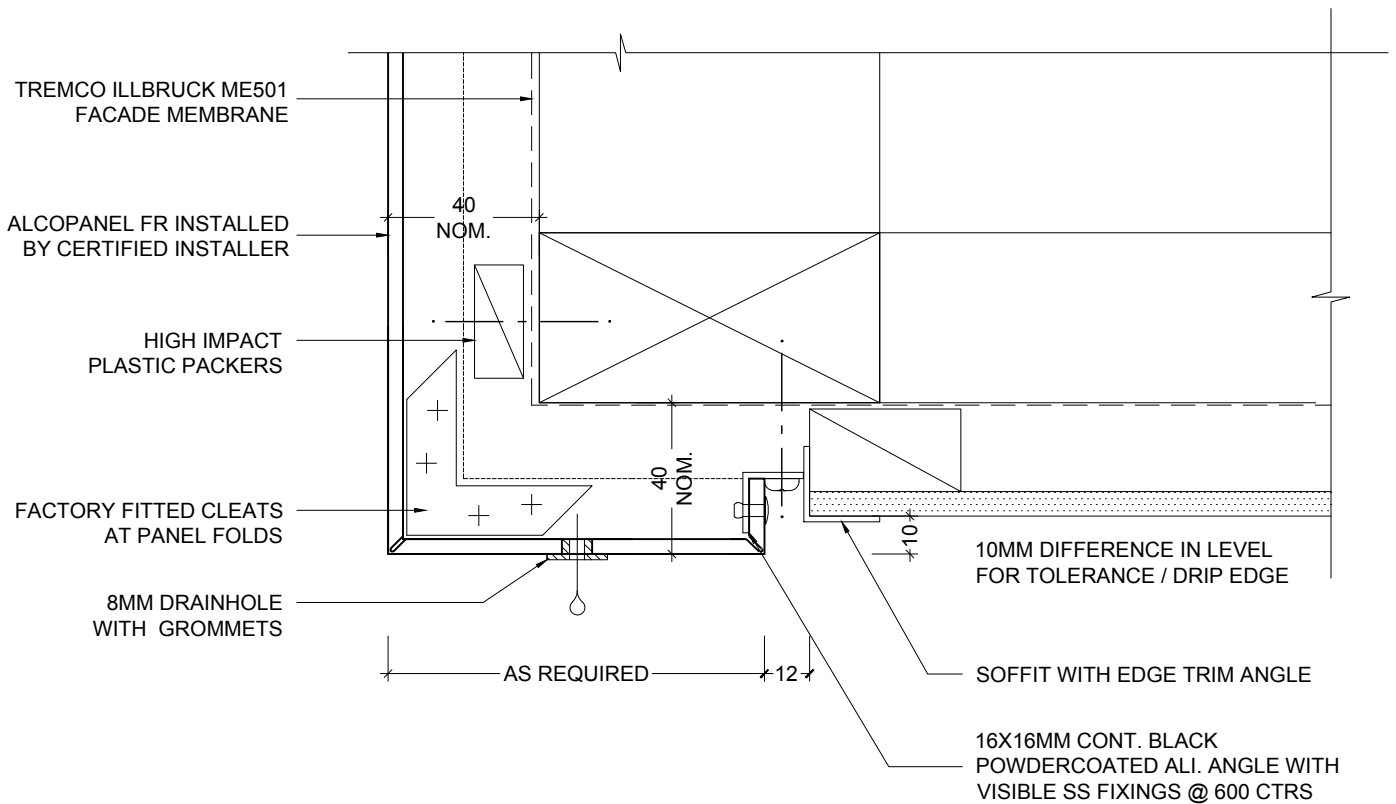


1 DRIP EDGE DETAIL  
1:2 @ A4



2 OPEN FLUSH SOFFIT JOINT  
1:2 @ A4

FRASER GLOBAL TRADING (PTY) LTD

JHB: (011) 450 0263  
DBN: (031) 564 8692  
Email: info@fgtrading.co.za  
Website: www.fgtrading.co.za



Project:  
Alcopanel Details

Drawn by: LS	Scale: 1:2	Date: 23/03/2015
		Drawng No. FG/AP07